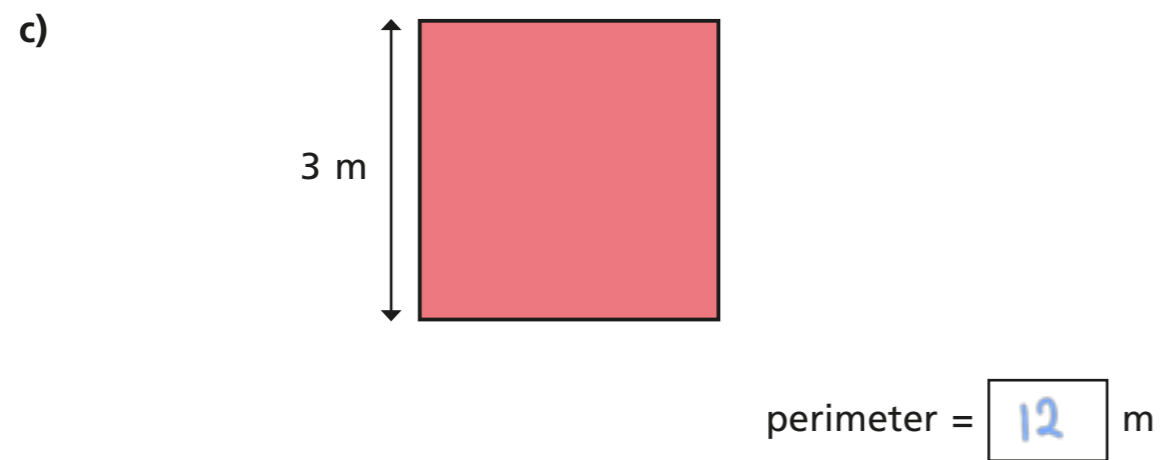
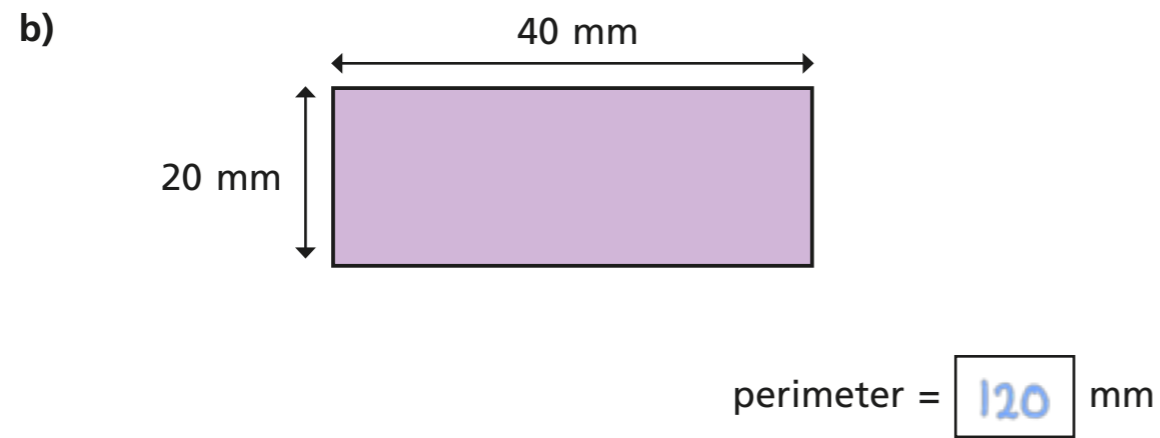
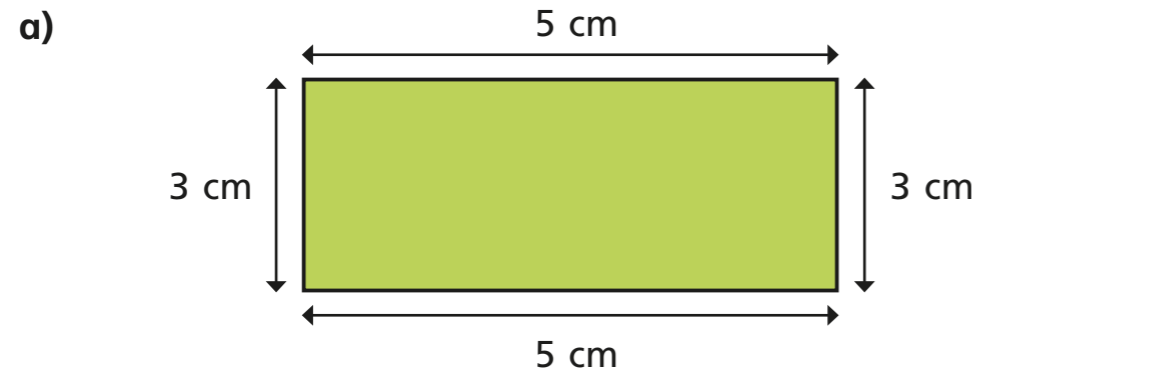
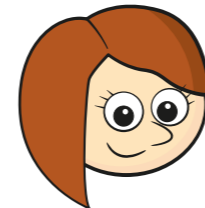
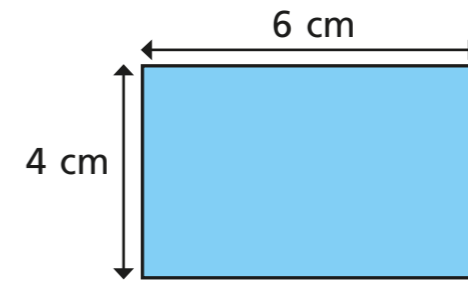


# Calculate perimeter

1 Work out the perimeter of each shape.

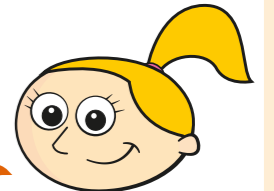


2 Rosie and Eva work out the perimeter of the shape below.



Rosie

$6 + 4 = 10$ ,  
so the perimeter is  
10 cm.



Eva

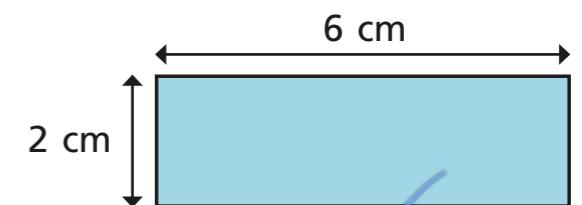
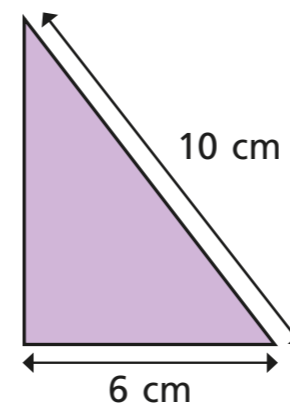
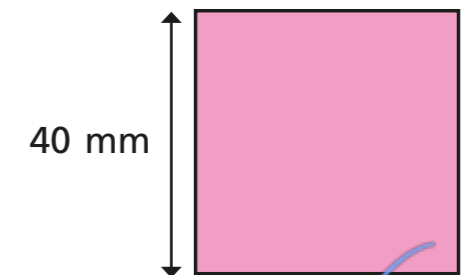
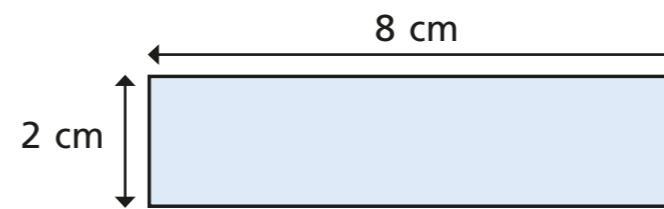
The perimeter is  
20 cm.

Who is correct? Eva

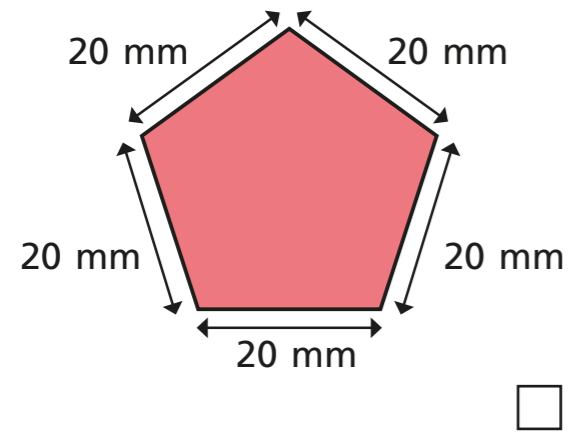
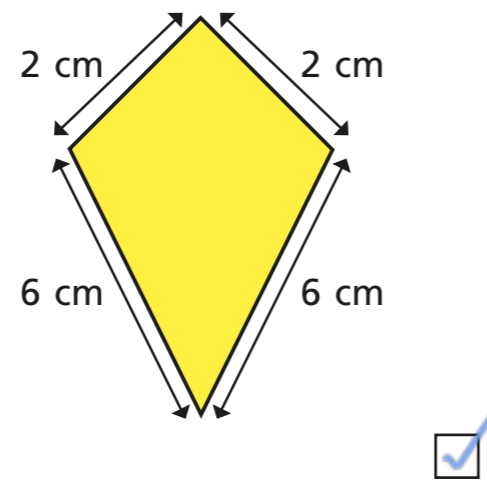
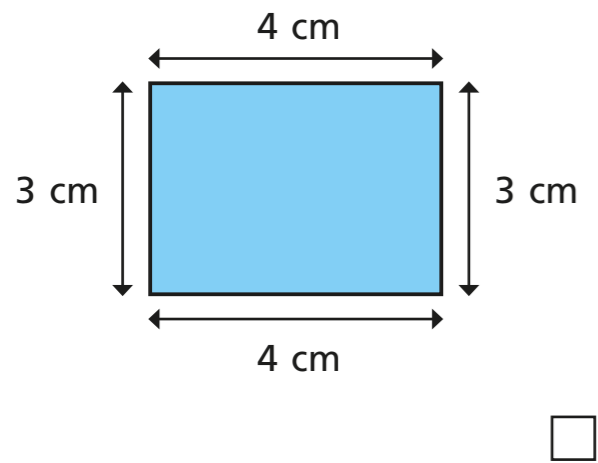
How do you know?

Rosie hasn't included the other two  
sides.

3 Tick the shapes with a perimeter of 16 cm.

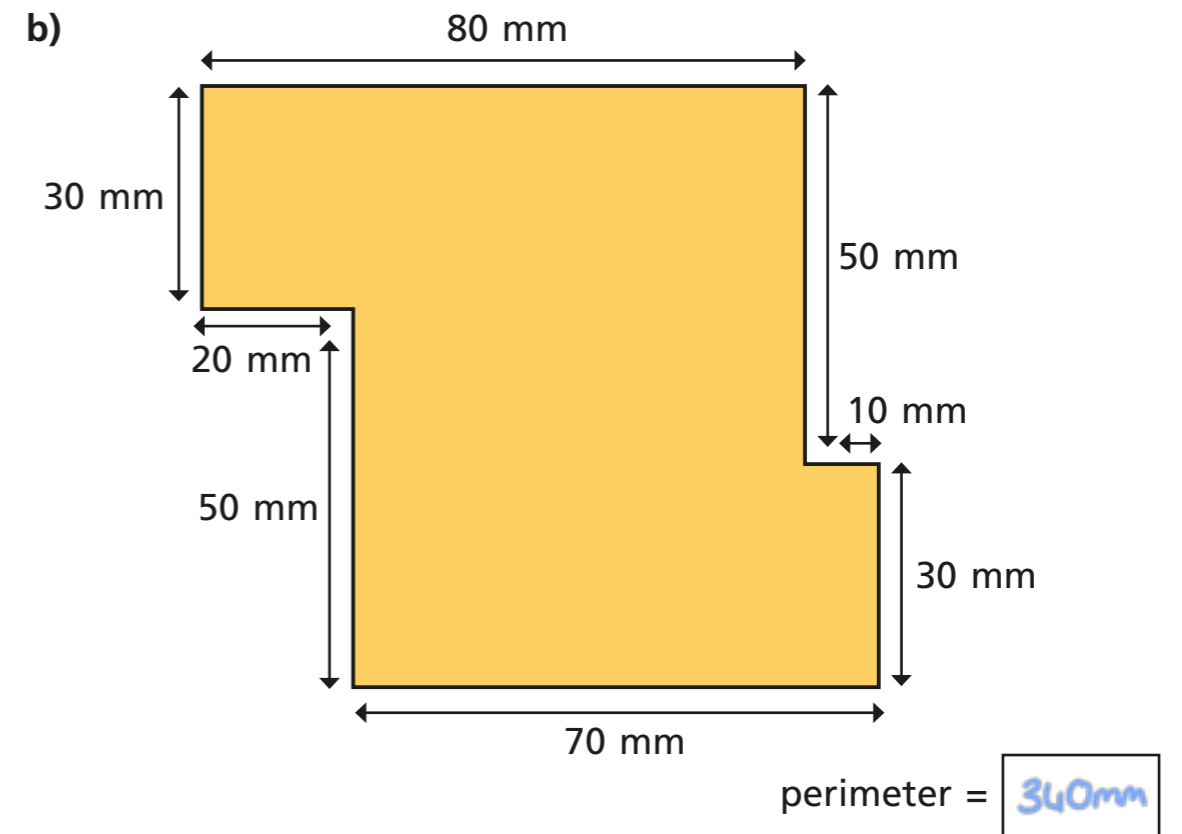
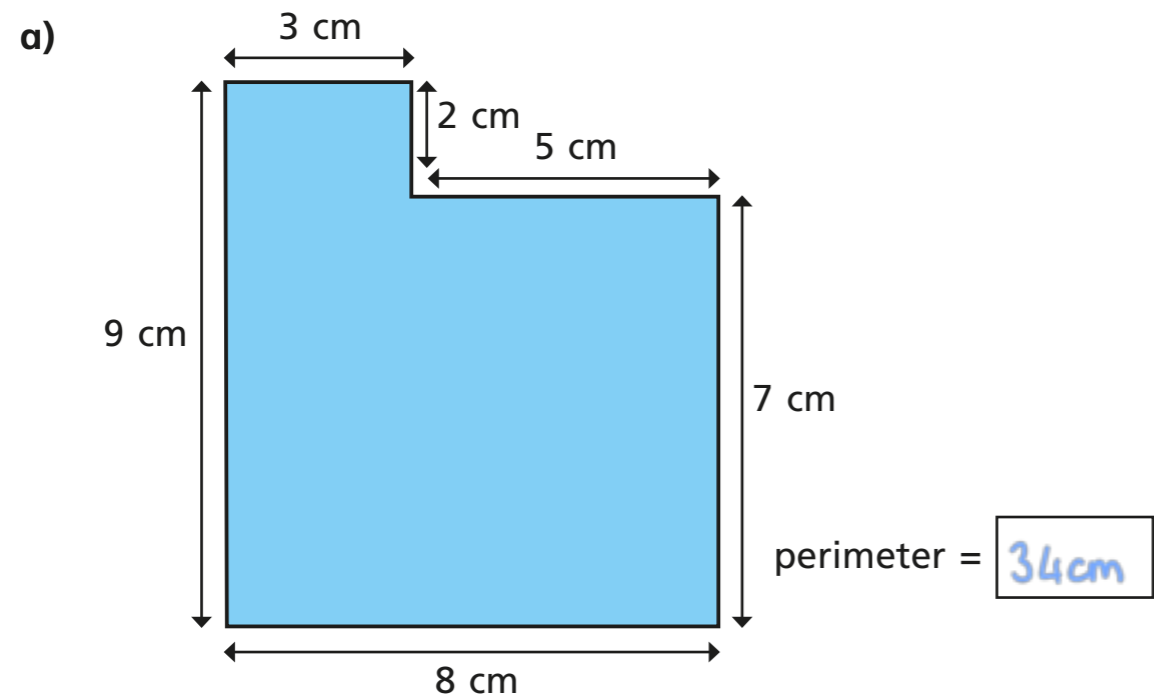


4 Which shape has the longest perimeter? Tick your answer.



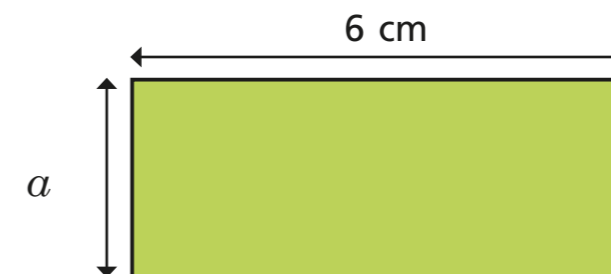
Show all your workings.

5 Work out the perimeter of these shapes.



What do you notice?

6 This rectangle has a perimeter of 18 cm. Work out the length of side  $a$ .



perimeter = 18 cm  
side  $a$  = 3 cm